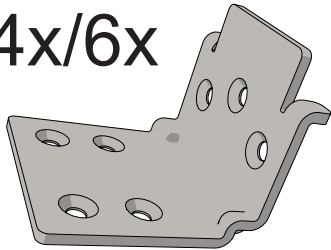
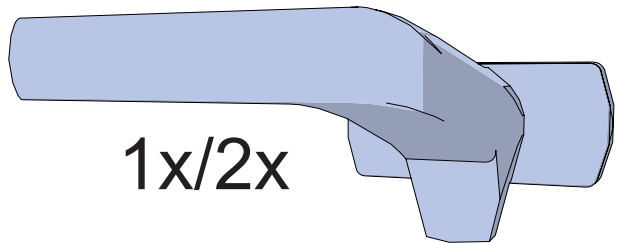


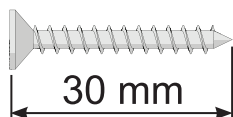
4x/6x



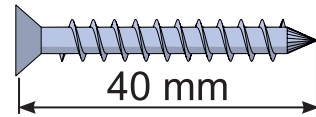
1x/2x



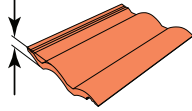
16x/24x



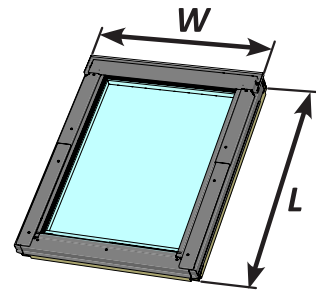
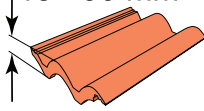
2x/4x



15 - 45 mm



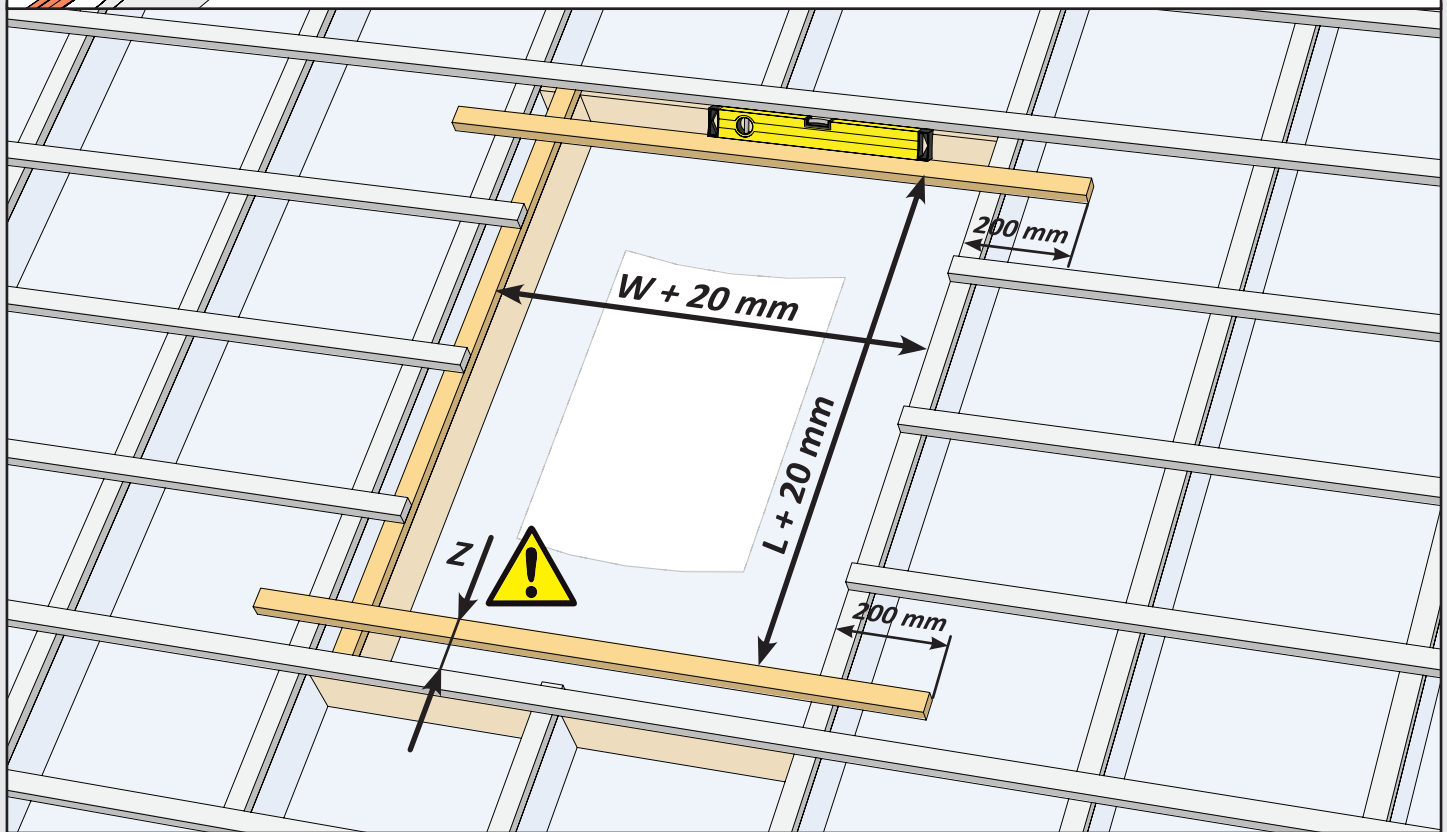
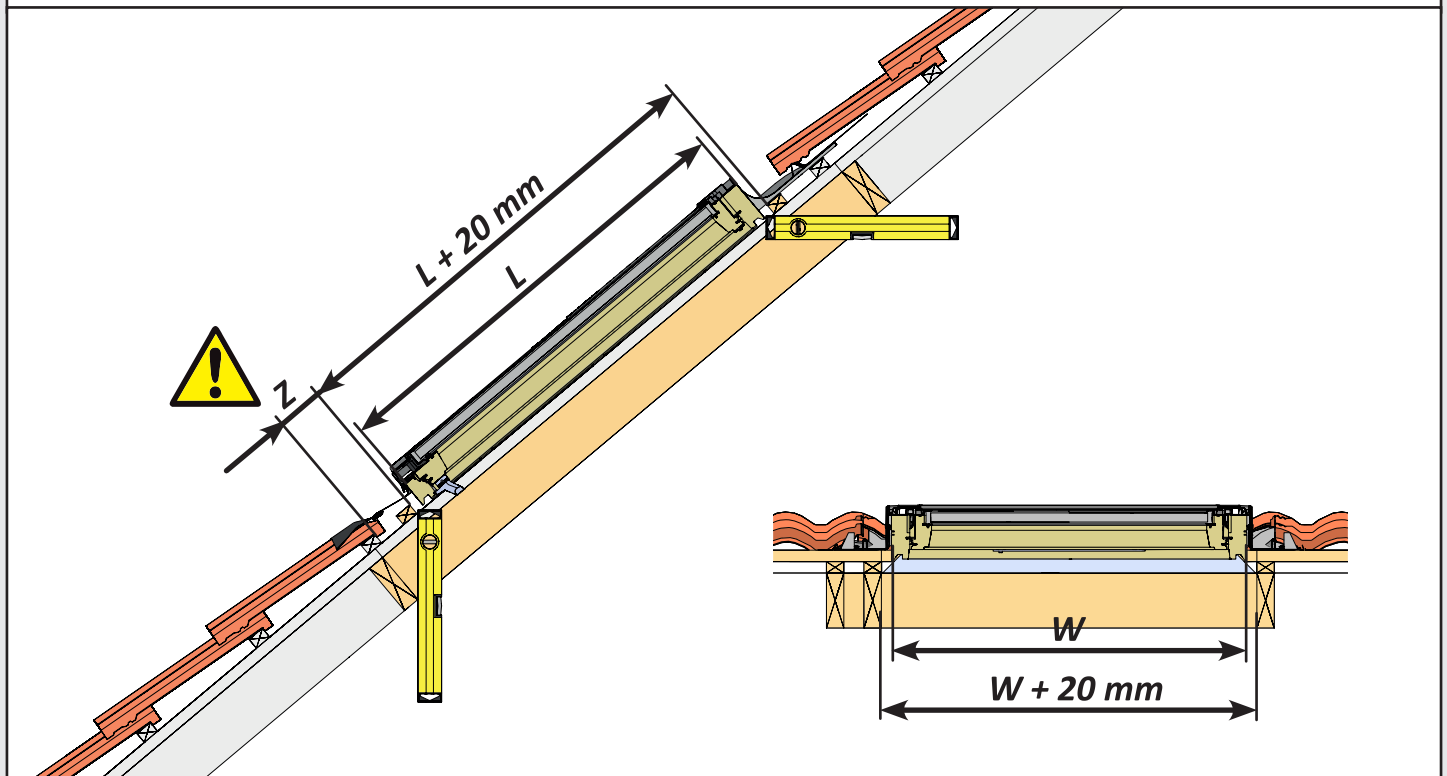
15 - 90 mm

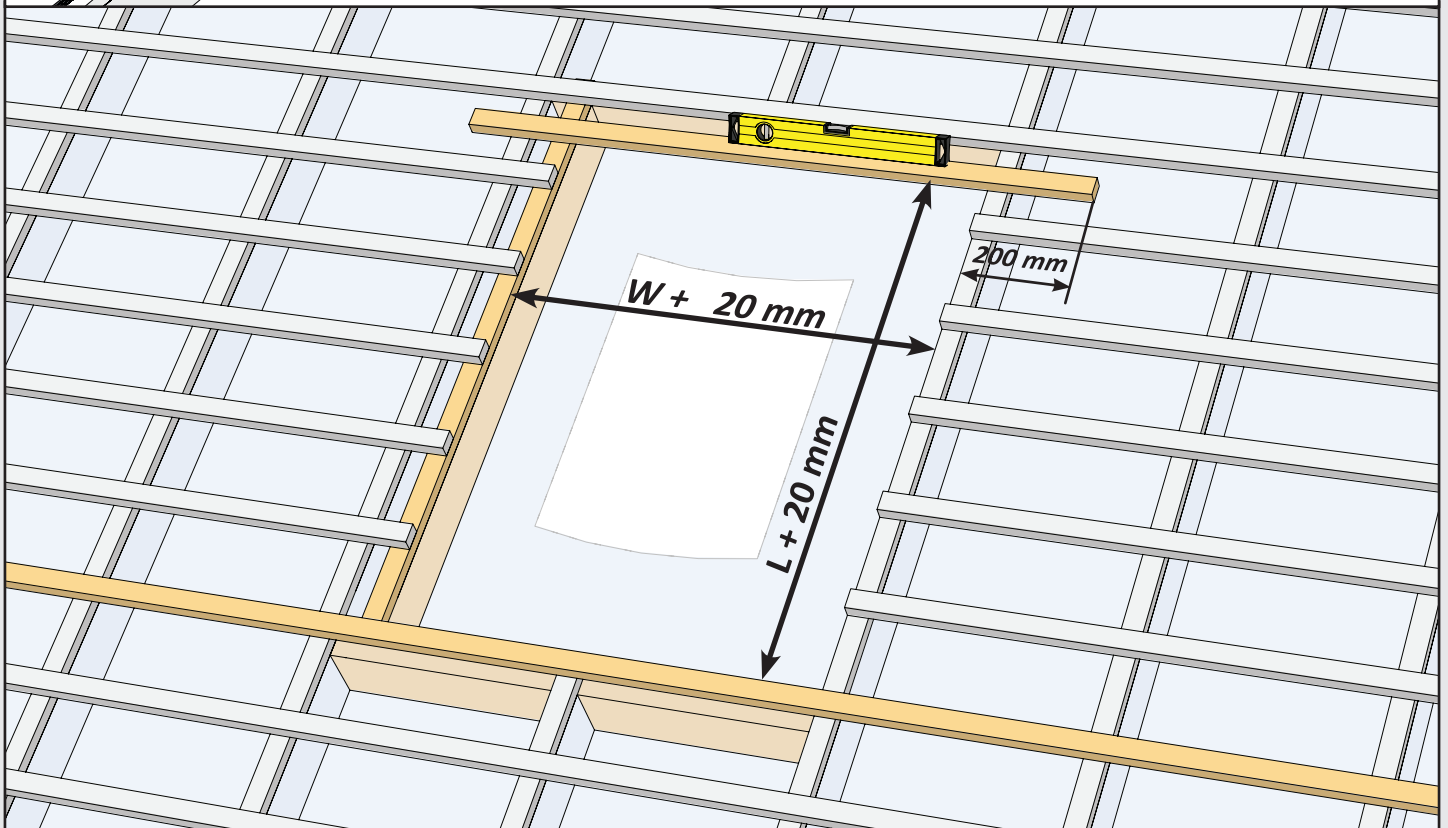
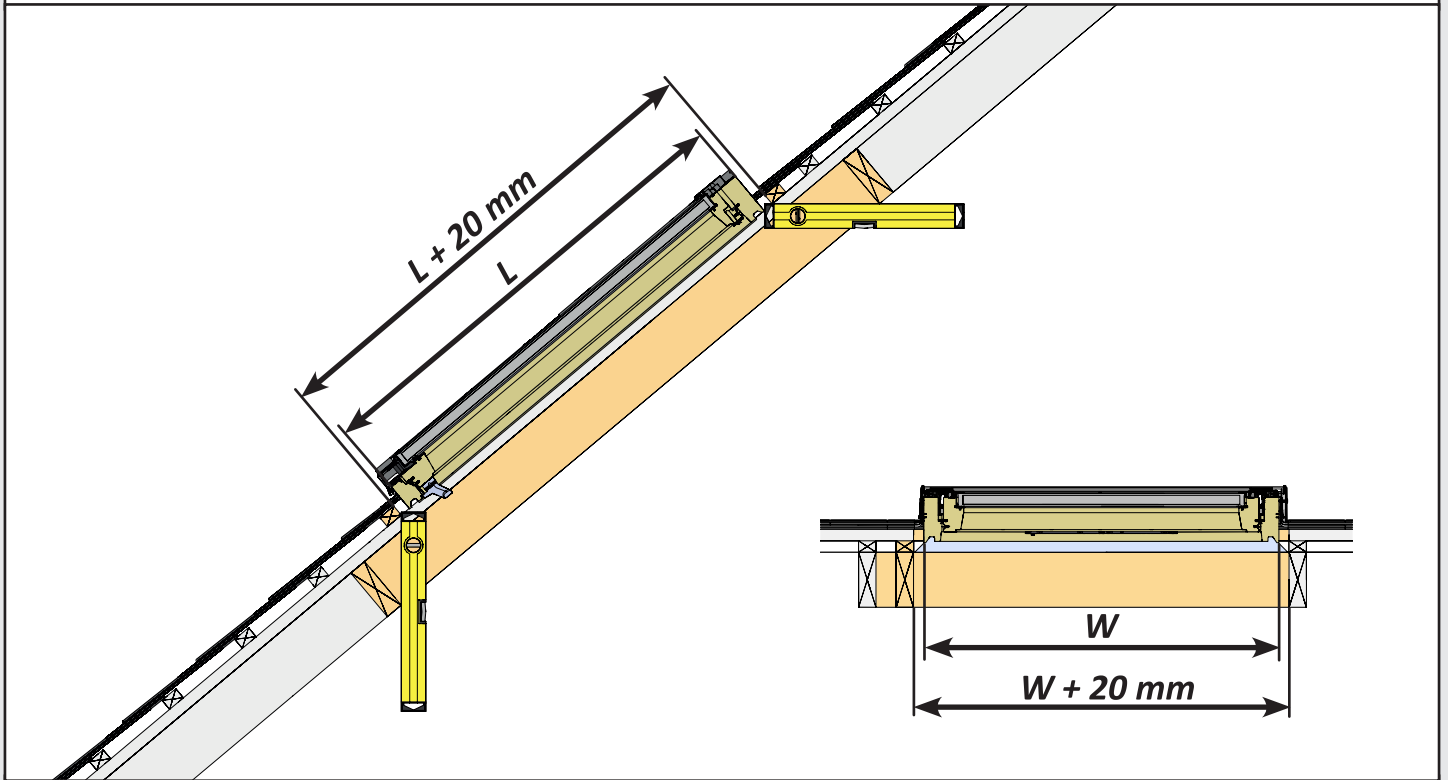
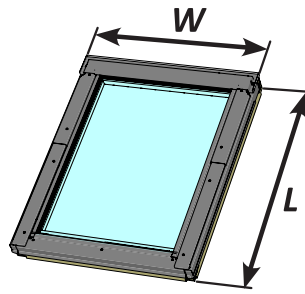
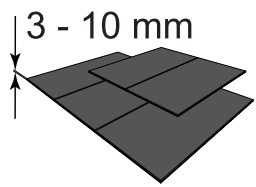


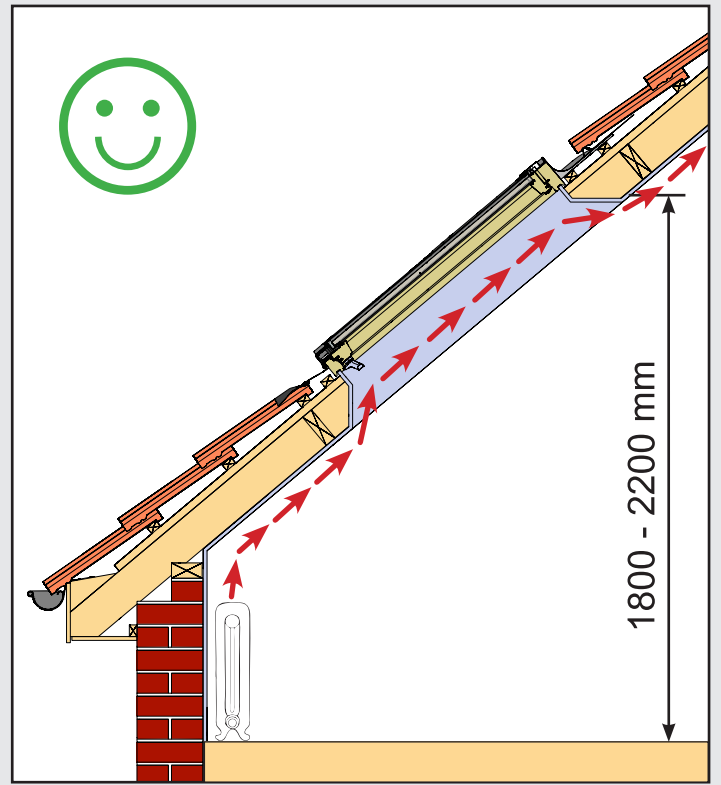
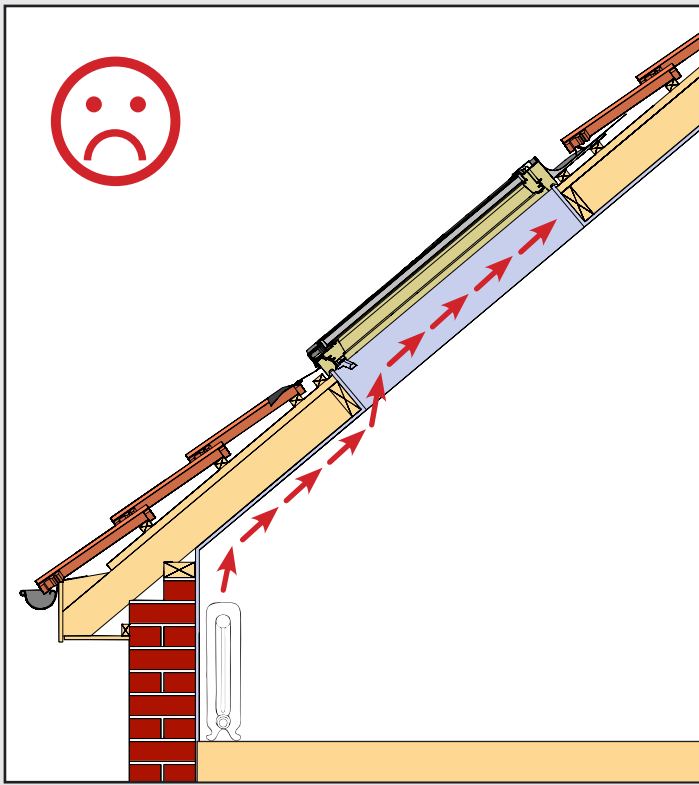
Z = 100 mm

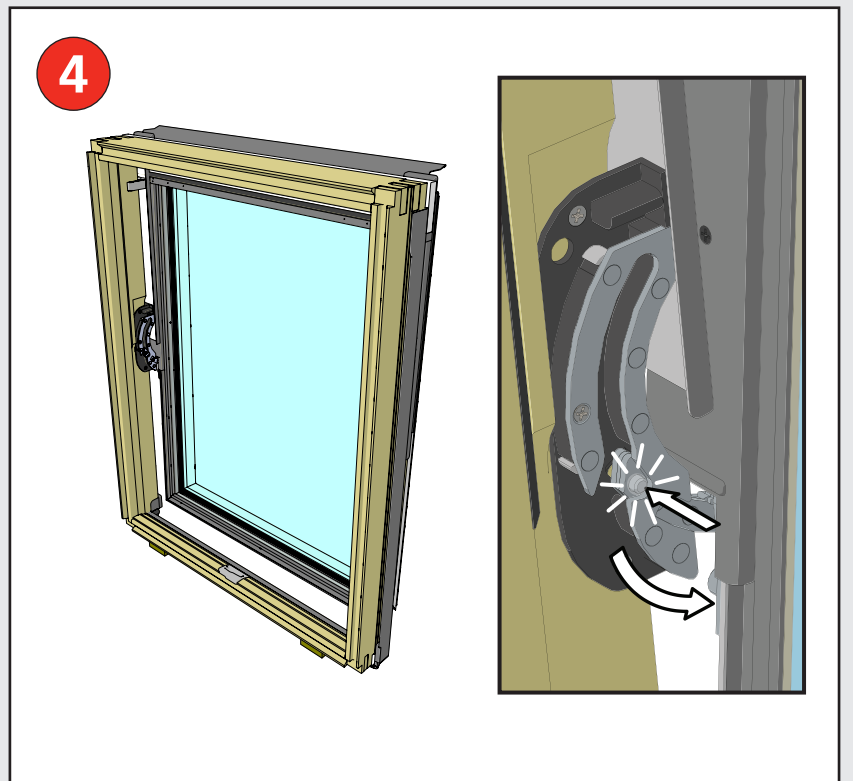
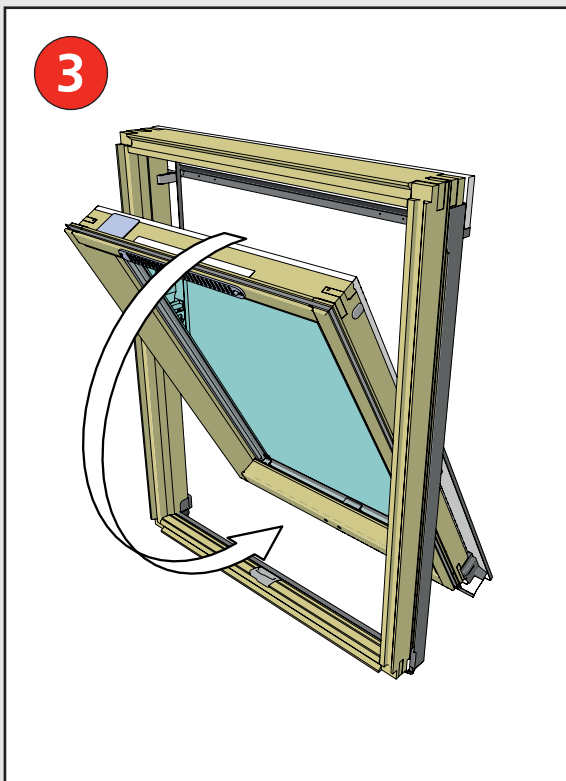
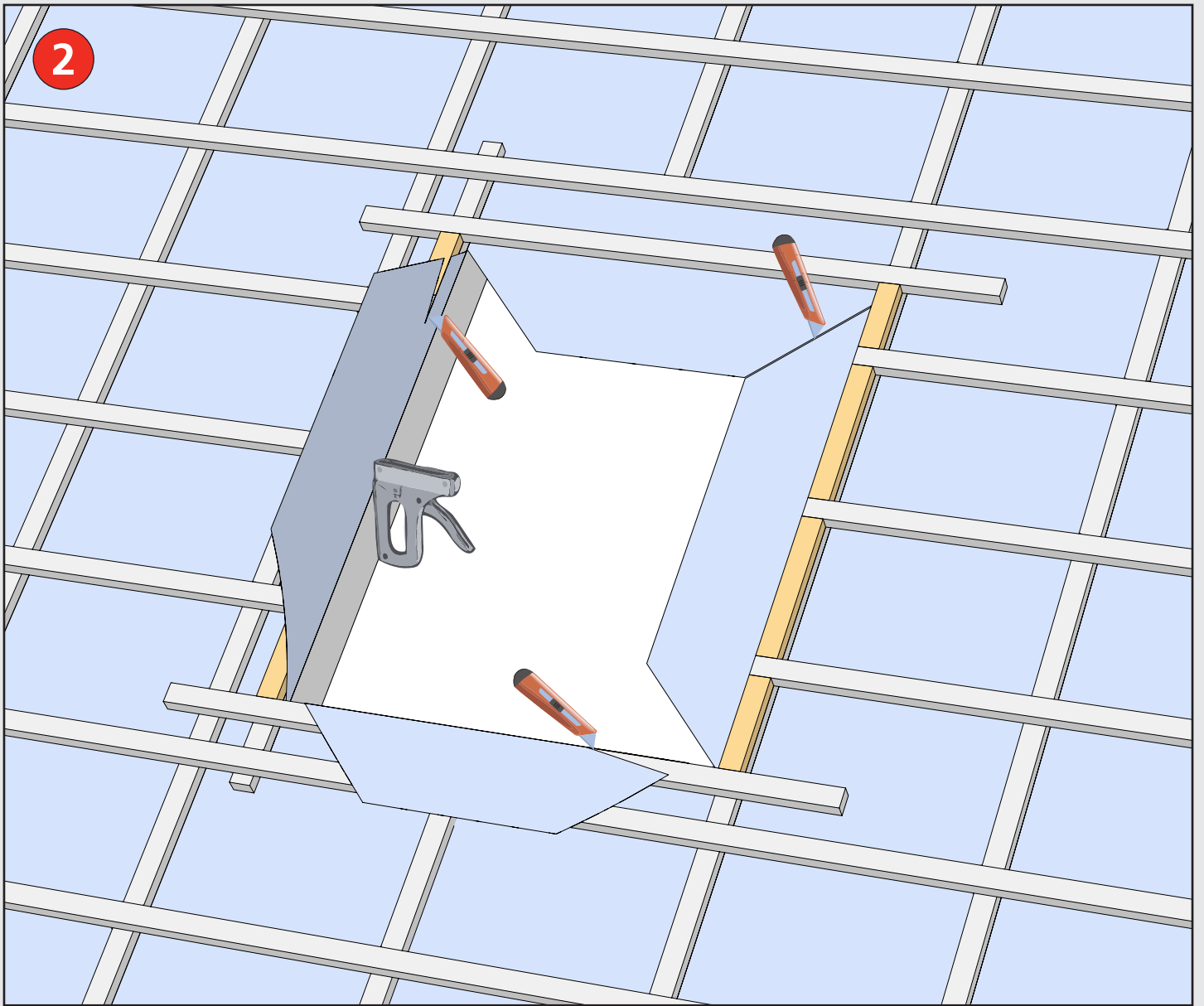


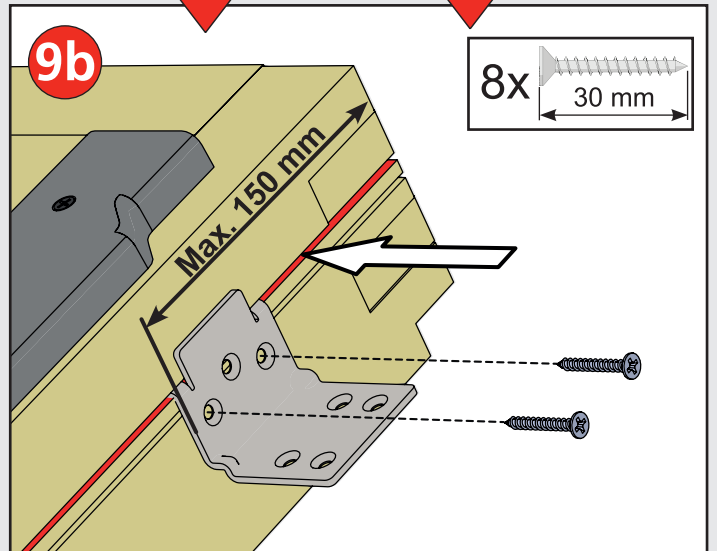
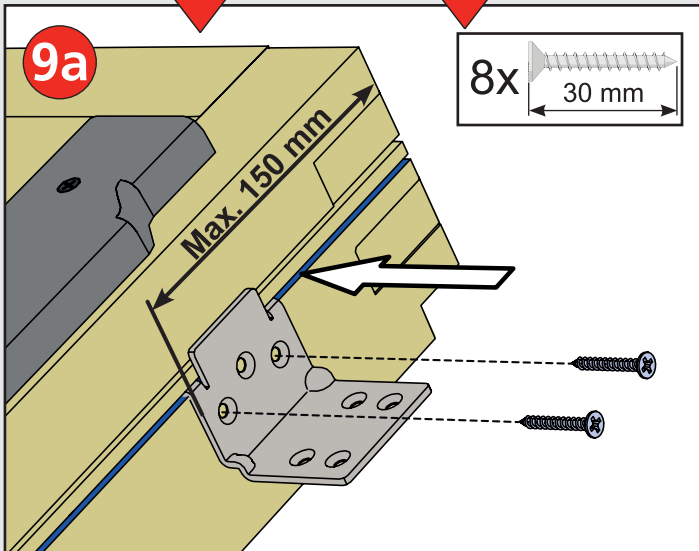
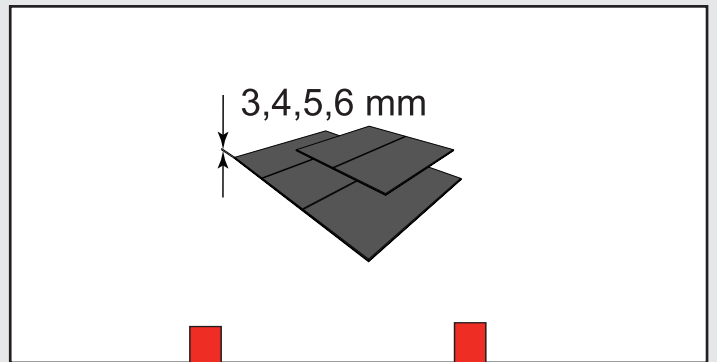
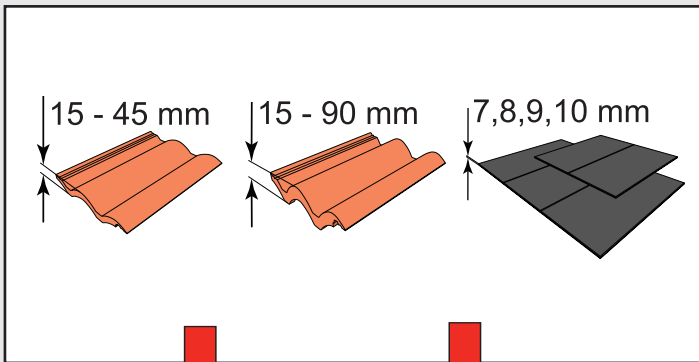
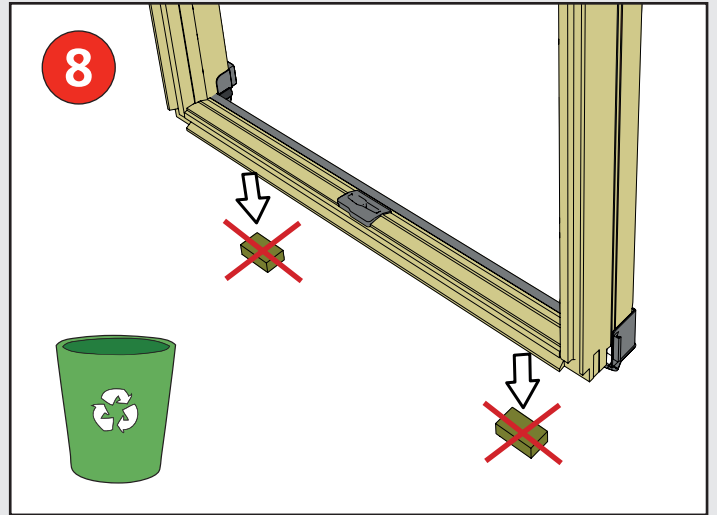
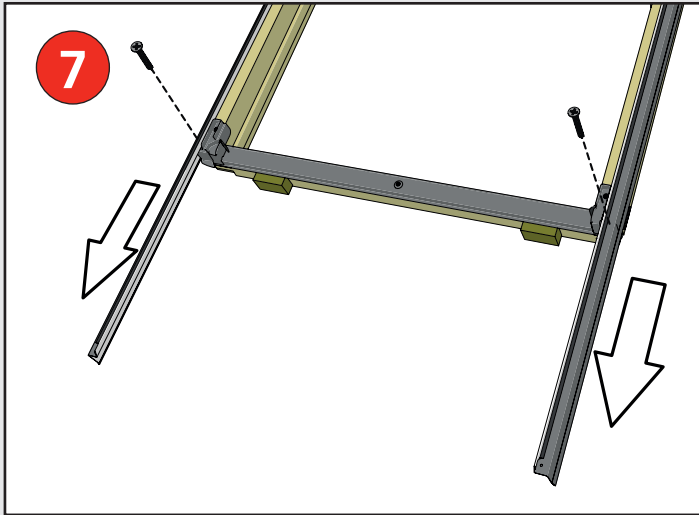
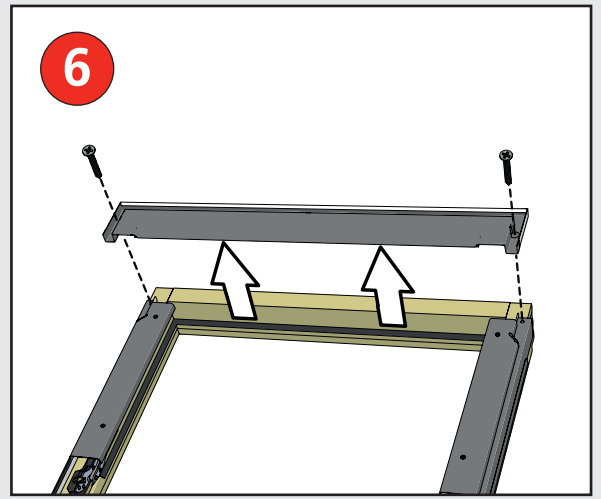
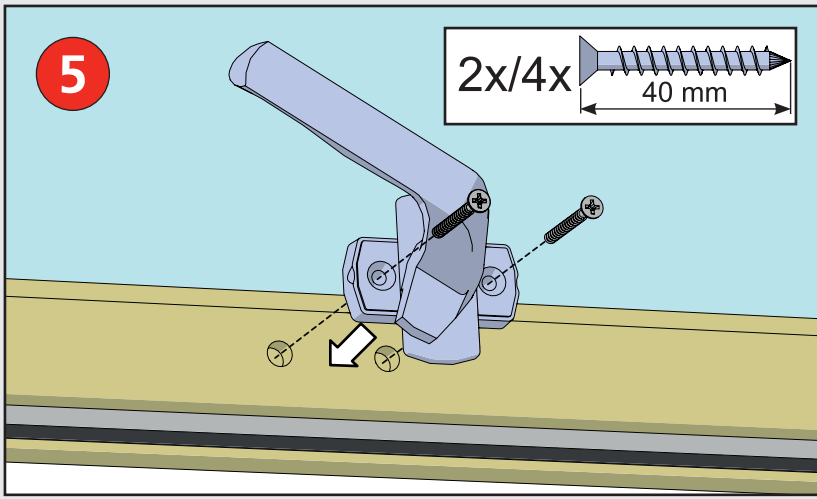
Z = 120 - 140 mm



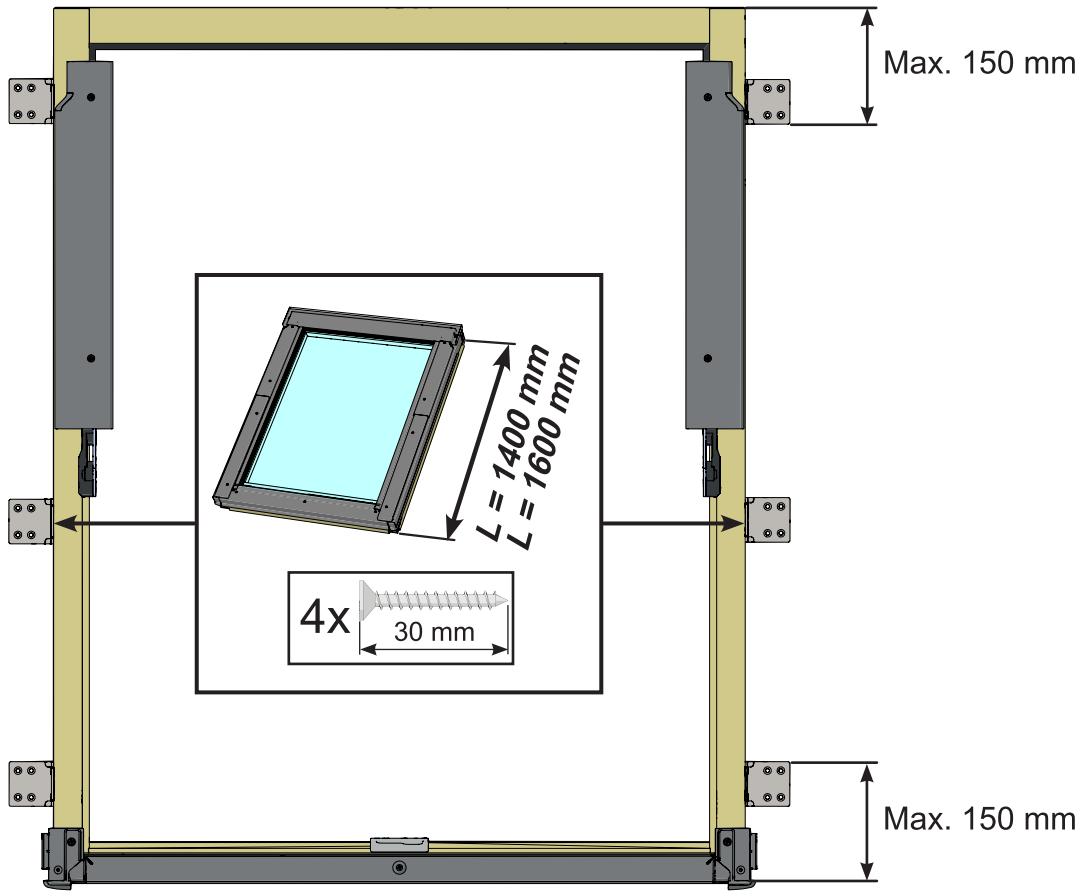








10



11

